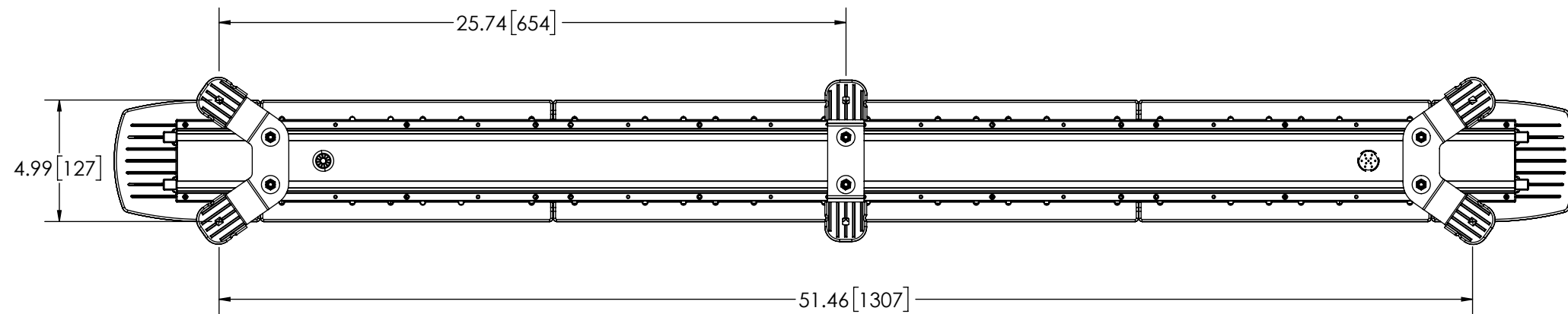
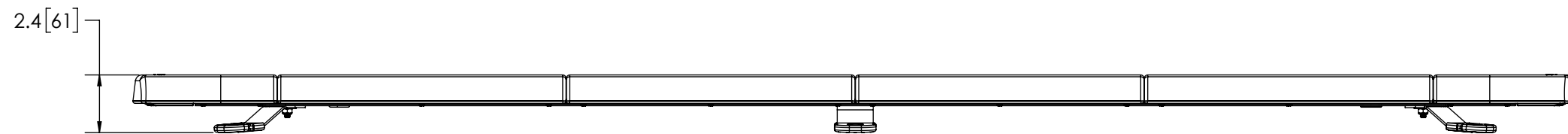
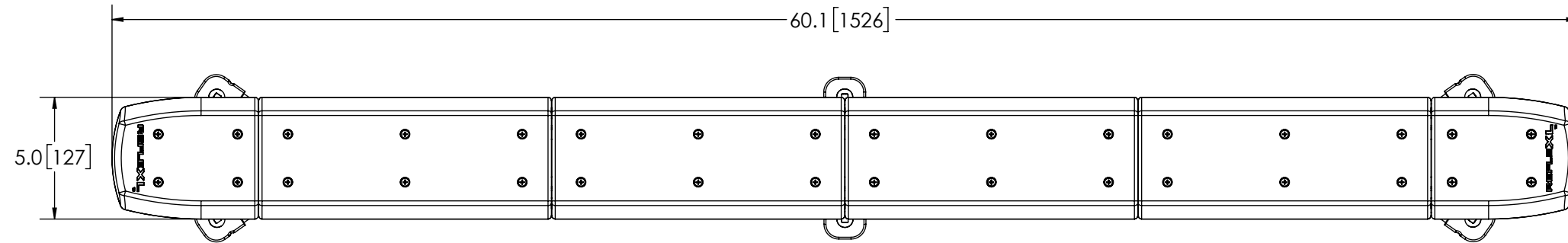


REVISION HISTORY		
REV.	DESCRIPTION	DATE
02	REVISED PER EP0184	2023-02-27
03	REVISED PER EP0184	2023-03-22
A	INITIAL RELEASE PER EP0184	2023-03-28



### SPECIFICATIONS


- CERTIFICATIONS: **CE**; SAE J845 (FEB 2019) CLASS 1A; YELLOW CA Title 13 CLASS E, AMBER; IP69K  
 Note: Unique components, accessories, and hardware kits are not typically included in the Product Certification Test Protocols. Unless otherwise Specified, the Product Certifications referred to herein are predicated upon the base product model configuration.
- FLASH MODE: SINGLE : 75 ± 5 FLASHES PER MINUTE  
 SINGLE : 120 ± 5 FLASHES PER MINUTE  
 DOUBLE : 75 ± 5 FLASHES PER MINUTE
- VOLTAGE (NOMINAL): 12 - 24 VDC
- VOLTAGE (EXTREME): 9.0-32.0 VDC
- CURRENT (PEAK): 7.73A (@ 12 VDC NOMINAL)
- POWER (MAXIMUM): 98.9W (@ 12 VDC NOMINAL)
- TEMPERATURE RANGE: -40°F (-40°C) TO 158°F (70°C)
- CONNECTION: 5 - 16 AWG CONDUCTOR CABLE
- MOUNTING: 6 BOLT MOUNT KIT
- BASE MATERIAL: ALUMINUM
- LENS MATERIAL: POLYCARBONATE, CLEAR
- PRODUCT WEIGHT: 12.04 LBS (5.42 Kg)

COLOR CHART	
FGS. NO.	COLOR
11-060CA-E	AMBER
11-060CAC-E	AMBER/WHITE
11-060TOW-E	TOW

- NOTES:
- ROHS COMPLIANT
  - DIMENSIONS IN INCHES[MILLIMETERS (FOR REFERENCE)]

PROPRIETARY AND CONFIDENTIAL INFORMATION

THIS DRAWING AND THE DESIGN AND OTHER INFORMATION DISCLOSED HEREIN ARE THE PROPERTY OF ELECTRONIC CONTROLS COMPANY AND/OR ITS ECCO SAFETY GROUP AFFILIATES ("ECCO") AND IS ISSUED IN CONFIDENCE TO RECIPIENT FOR ENGINEERING INFORMATION PURPOSES ONLY. THIS DRAWING AND THE DESIGN AND OTHER INFORMATION DISCLOSED HEREIN MAY NOT BE USED, COPIED, REPRODUCED OR OTHERWISE DISCLOSED IN PART OR IN WHOLE TO THIRD PARTIES OR USED FOR ANY OTHER PURPOSE WITHOUT PRIOR ECCO WRITTEN CONSENT. ECCO RESERVES ALL PATENT, COPYRIGHT, TRADEMARK AND OTHER PROPRIETARY RIGHTS TO THIS DOCUMENT, INCLUDING ALL DESIGN, MANUFACTURING, REPRODUCTION, USE AND SALES RIGHTS THEREIN. THIS DRAWING IS SUBJECT TO RECALL BY ECCO AT ANY TIME, AND YOUR POSSESSION AND/OR USE CONSTITUTES ACCEPTANCE OF THESE TERMS. ©2022 ELECTRONIC CONTROLS COMPANY

SCALE 1:6	APPROVALS	DATE	 Americas (800) 635-5900   Europe +44 (0)113 237 5340   Asia Pacific +61 (0)3 63322444											
CAD GENERATED DRAWING DO NOT MANUALLY UPDATE.	DRAWN BY ABD	2023-03-22												
TOLERANCES ARE IN INCHES, AND MILLIMETERS TOLERANCES UNLESS OTHERWISE STATED ARE:	CHECKED	2023-03-23												
<table border="0"> <tr> <td>MILLIMETERS DECIMALS</td> <td>INCHES DECIMALS</td> <td>ANGLES</td> </tr> <tr> <td>XX. ± 1.0mm</td> <td>X.X ± 0.1</td> <td>± 0.5°</td> </tr> <tr> <td>XX.X ± 0.5mm</td> <td>X.XX ± 0.04</td> <td>FRACTIONS</td> </tr> <tr> <td></td> <td>X.XXX ± 0.02</td> <td>± 1/64</td> </tr> </table>	MILLIMETERS DECIMALS	INCHES DECIMALS		ANGLES	XX. ± 1.0mm	X.X ± 0.1	± 0.5°	XX.X ± 0.5mm	X.XX ± 0.04	FRACTIONS		X.XXX ± 0.02	± 1/64	MECH. ENG.
MILLIMETERS DECIMALS	INCHES DECIMALS	ANGLES												
XX. ± 1.0mm	X.X ± 0.1	± 0.5°												
XX.X ± 0.5mm	X.XX ± 0.04	FRACTIONS												
	X.XXX ± 0.02	± 1/64												
	ELEC. ENG. SPO	2023-03-22	<b>REFLEX XL,60",CLR LENS,DISCRETE WIRE</b> CUSTOMER PART NO. <b>SEE CHART</b>											
	TEST ENG. JRT	2023-03-27												
	SALES.													
THIRD ANGLE PROJECTION	Electronically Controlled Use Latest Copy		SIZE: B    DWG. NO. 11-060XXX-E    REV. A SHEET 1 OF 1    Project: EP0184    Date Created: 2022-11-01											